

# ScanSilence ML3

## Passive Earmuffs - Mountable - Level 3

### Features

- Protection against very high noise levels and loud sounds
- Lightweight
- Mountable to various helmet types/brands
- Adapter pair included
- Limited contact pressure for all-day comfort
- Easy working / parking position
- Small ear cups with maximal ear protection
- Adjustable cup height
- Anti-scratch cups
- Hygienic soft replaceable, allergy-tested PVC ear cushions
- Weight: 248,6 g (8.8 o.z.)
- CE EN Attenuation: H=36dB, M=32dB, L=23dB, SNR=33dB
- ANSI Attenuation: NRR=26dB
- AS/NZS Attenuation: SLC80=27.3dB Class 5
- Sales quantity: 1 pair
- Optional: ScanSilence HK3 for ear cushions and foam replacement



### Certification

CE Certified  
EN 352-3:2020 (general requirements - earmuffs attached to an industrial safety helmet)

ANSI S3.19-1974 (American National Standard method for measurement of real-ear protection of hearing protectors and physical attenuation of ear muffs)

AS/NZS 1270:2002 (acoustics-hearing protectors)

### Available sizes

One size

### Available colours



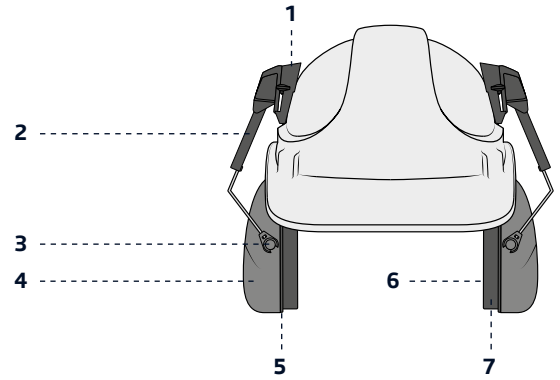
High Viz  
Yellow



# ScanSilence ML3

## Materials

1. Adapter: PBT
2. Helmet attachment arm: POM /PA + Stainless spring steel wires
3. Swivel joint: POM
4. Cups: ABS
5. Cover plates: ABS
6. Absorbents: Foam
7. Ear cushions: Foam filling + PVC cover



## Test results



CE certified

### CE EN 352-3:2020

Frequency, Hz	125	250	500	1000	2000	4000	8000	
Mean Attenuation, dB	18,9	23,1	32,8	40,2	36,0	40,6	39,7	
Standard Deviation, dB	2,3	2,0	2,7	2,3	2,7	2,7	3,0	
Mean - SD	16,5	21,0	30,1	37,8	33,3	37,9	36,7	
SNR	SNRm	SNRs	H		M		L	
33 dB	34,9 dB	1,4 dB	36 dB		32 dB		23 dB	
			Hm	Hs	Mm	Ms	Lm	Ls
			38,1	2,1	33,0	1,4	25,2	1,7
Mass = 248,6 g								
Headband force S 9,6 N		Headband force M 10,6 N			Headband force L 11,4 N			



### AS/NZS 1270:2002

Frequency, Hz	125	250	500	1000	2000	4000	8000
Mean Attenuation, dB	16,4	17,1	28,3	35,1	33,4	36,1	35,0
Standard Deviation, dB	3,8	4,3	5,3	5,3	3,7	4,1	5,7
Mean. Minus. Standard Deviation, dB	12,6	12,8	23,0	29,8	29,7	32,0	29,3
Clamping force	10,2 N						
SLC 80	27,3 dB					Class 5	



### ANSI S3.19-1974

Frequency, Hz	125	250	500	1000	2000	3150	4000	6300	8000	NRR 26 dB
Mean Attenuation, dB	28,1	21,8	32,7	39,5	35,8	35,8	39,9	39,0	37,8	
Standard Deviation, dB	3,1	2,1	3,0	3,3	2,9	2,8	2,5	3,7	3,2	
APV / Real Ear Protection, dB	25,0	19,7	29,7	36,2	32,9	33,0	37,4	35,3	34,6	
CSA Class = A	Headband force 2.2 Lbs									