



ScanSilence L2

Passive Earmuffs - headband - level 2

Product code: 5010.62

Features

- Protection against hazardous moderate industrial noise levels and loud sounds
- Lightweight
- Omnifit reflective headband
- Limited contact pressure for all-day comfort
- Compatible with various safety helmets
- Easy working / parking position
- Foldable for easy portability and storage
- Small ear cups with maximal ear protection
- Adjustable cup height
- 360° rotating anti-scratch cups
- Hygienic soft replaceable, allergy-tested PVC ear cushions
- Weight: 212 g (7.5 o.z.)
- CE EN Attenuation: H=38 dB, M=32 dB, L=23 dB, SNR = 34 dB
- ANSI Attenuation: NRR=27 dB
- AS/NZS Attenuation: SLC80=31.7 dB Class 5
- Sales quantity: 1 pair / innerbox
- Optional: ScanSilence HK2 for ear cushions and foam replacement

Norms and standards

- CE Certified
- EN 352-1:2002: (general requirements - ear-muffs)
- ANSI S3.19-1974 (American National Standard Method for Measurement of Real-Ear Protection of Hearing Protectors and Physical Attenuation of Ear Muffs)
- AS/NZS 1270:2002 (acoustics-hearing protectors)



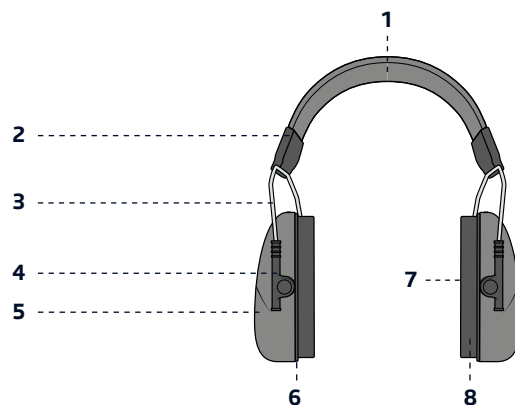
Available sizes

One size

ScanSilence L2

Materials

- 1. Headband Spring steel wires + PVC cover
- 2. Headband joint POM
- 3. Telescopic arms Stainless steel
- 4. Swivel joint POM
- 5. Cups ABS
- 6. Cover plates ABS
- 7. Absorbents Foam
- 8. Ear cushions Foam filling + PVC cover



CE certified

| EN 352-1:2002 | | | | | | | | |
|----------------------------------|----------------------------------|------|------|----------------------------------|--------------|------|------|--|
| Frequency, Hz | 125 | 250 | 500 | 1000 | 2000 | 4000 | 8000 | |
| Mean Attenuation dB | 18,5 | 22,8 | 35,1 | 42,8 | 38,4 | 40,2 | 39,6 | |
| St. Deviation, dB | 2,6 | 1,7 | 1,7 | 2,7 | 2,1 | 3,5 | 2,0 | |
| APV - (84%) | 15,9 | 21,2 | 33,5 | 40,1 | 36,2 | 36,7 | 37,7 | |
| H | 38 dB | | | | SNR 34 dB | | | |
| M | 32 dB | | | | | | | |
| L | 23 dB | | | | | | | |
| Mass = 210 g | | | | | | | | |
| Headband force S = 10,4 N | Headband force M = 11,8 N | | | Headband force L = 11,5 N | | | | |

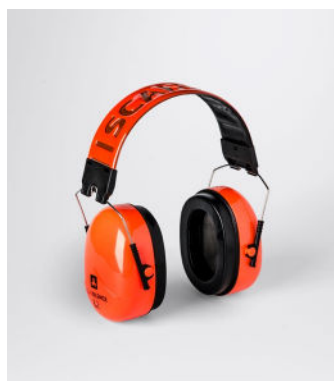


| AS/NZS 1270:2002 | | | | | | | | | |
|-------------------------------------|---------|------|------|------|---------|------|------|--|--|
| Frequency, Hz | 125 | 250 | 500 | 1000 | 2000 | 4000 | 8000 | | |
| Mean Attenuation, dB | 18,8 | 20,1 | 32,4 | 40,1 | 36,0 | 38,9 | 37,9 | | |
| Standard Deviation, dB | 2,8 | 2,5 | 4,2 | 4,4 | 3,5 | 3,3 | 3,6 | | |
| Mean. Minus. Standard Deviation, dB | 16,0 | 17,6 | 28,2 | 35,7 | 32,5 | 35,6 | 34,3 | | |
| Clamping force | 12,6 N | | | | | | | | |
| SLC 80 | 31,7 dB | | | | CLASS 5 | | | | |



| ANSI S3. 19-1974 | | | | | | | | | | |
|-----------------------------|------------------------|------|------|------|------|------|------|------|------|---------------------|
| Frequency, Hz | 125 | 250 | 500 | 1000 | 2000 | 3150 | 4000 | 6300 | 8000 | NRR 27 dB |
| Mean Attenuation, dB | 19,9 | 23,3 | 35,0 | 42,6 | 36,1 | 37,5 | 40,6 | 40,8 | 41,6 | |
| Standard Deviation, dB | 2,9 | 2,8 | 3,4 | 3,2 | 2,9 | 3,6 | 3,8 | 3,6 | 3,1 | |
| APV/Real Ear Protection, dB | 17,0 | 20,5 | 31,6 | 39,4 | 33,2 | 33,9 | 36,8 | 37,2 | 38,5 | |
| CSA Class = A | Headband force 2.5 Lbs | | | | | | | | | |

Available colours



HV Orange